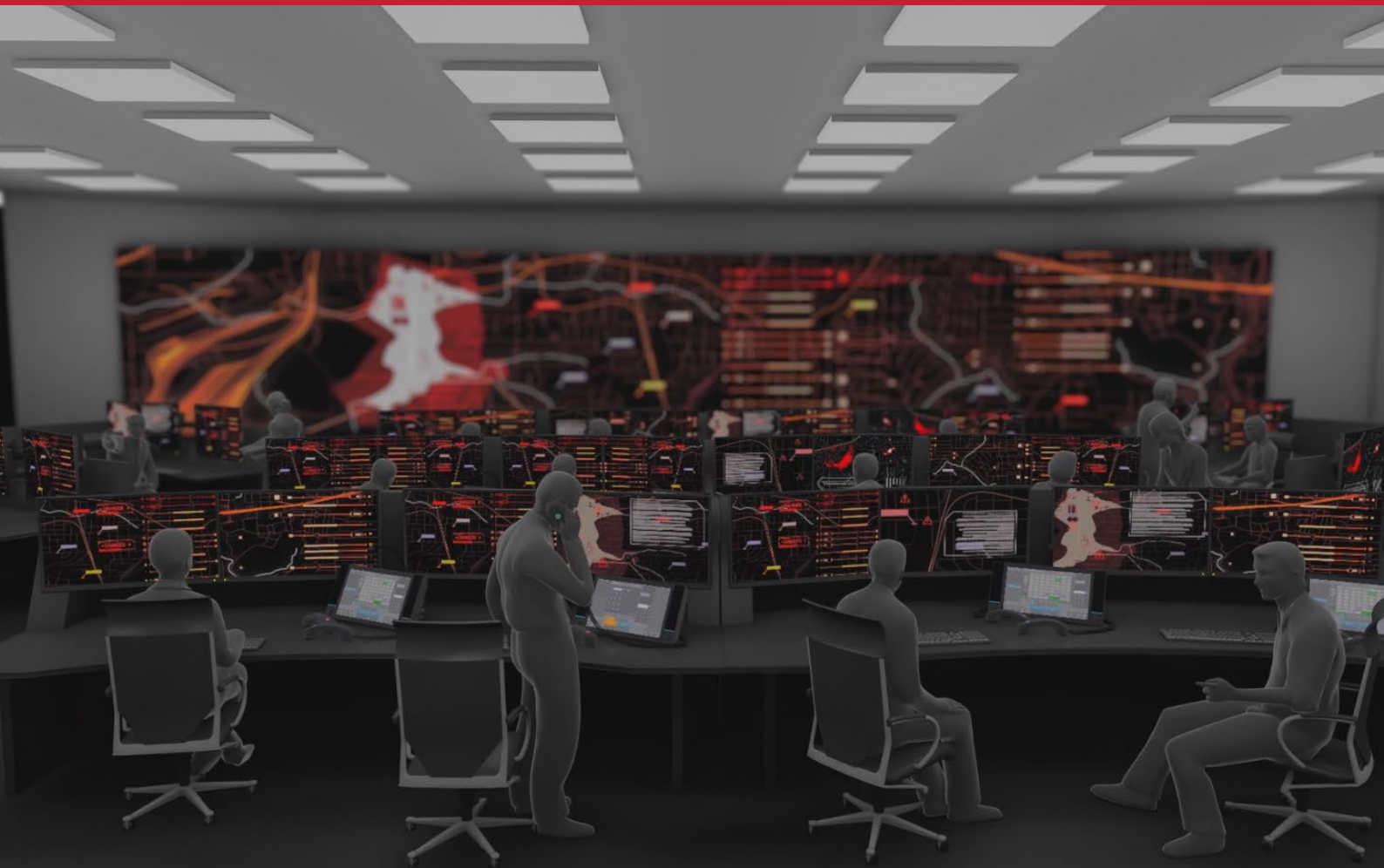




T4M | Dispatch Console

The Next Generation of IP Command Dispatch Consoles
DATASHEET

FOR DISPATCHERS WHO DEMAND THE VERY BEST IN PERFORMANCE



WWW.IPCOMMAND-NETWORKS.COM

SAVE TIME. SAVE LIVES. SAVE MONEY



High-Performance, Real Time Communications Platform

T4M, the next generation dispatch console that revolutionizes the integration between the command & control room and all other environments of unified communications and also matches the styling and usability of the most advanced tablets in the market.

The T4M dispatch console commands minimal desktop foot print whilst maintaining a 10" colour rich LCD display. The sleek design is coupled with up to four high fidelity speakers, microphone, and two durable command room handsets, 5 adjustable viewing angles ensuring optimal visibility. The T4M will sit comfortably within a technology rich environment.

The latest in touchscreen technology ensures that the T4M is both a true dispatch console as well as a multi-application tablet. Enabling applications such as videoconferencing, web apps or custom apps, click to dial, unified contacts, multi directory access, etc. are even simpler to use thanks to zooming and sliding screen features.



Recording

IP Command has an open architecture and standard application programming interface (API) enabling the solution to interoperate with media recording platforms.

The company has an interoperability testing and certification program available to any IP media recording vendor (the list of current models and versions supported is available from your sales representative).

Dispatching communications without limits

Get in touch with more than 10,000 professional contacts with the enterprise directory at your fingertips. Communicate seamlessly with your team on the field, public or private organization, or colleagues via private wire, landline, mobile and radio connections and with all dispatcher communities. The perfect integration of the IP Command solutions within unified communications networks, eliminates barriers and provides dispatchers with the unique functions they require.



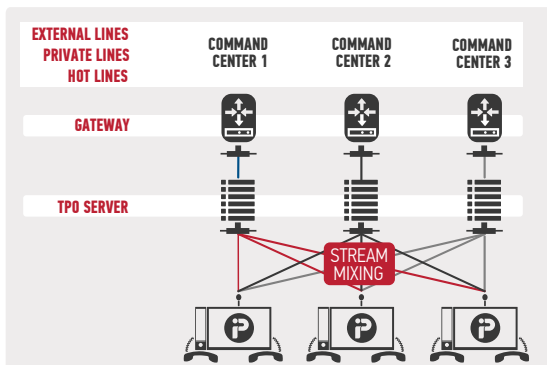
MOBILITY

The Mobile Commander application range offers seamless mobility from the T4M, to Android or web platforms (including Apple iPhones) or on Windows. Mobile Commander allows remote working and Disaster Recovery solutions. With a user authentication, each user can work from any dispatch console, telephone, tablet or from a disaster recovery center without losing functionalities, profile, contacts or even call history.

Functional description

The T4M is an integrated dispatch console, based on the IP Command voice architecture and dedicated components for the highest quality and performance. It combines a conventional and highly flexible Intel architecture with Windows 7 embedded providing a natural integration of applications.

CAPABILITY	DESCRIPTION
Display	Capacitive Touchscreen 15" 16/9
Handsets	Push-to-talk, Push-to-mute, Volume control , Red/Blue LEDs (left and right)
Loud Speakers	Amplified loudspeakers, Volume control – Side speakers (can be removed)
Speaker control	Global per line, Sound activity detection displayed on screen
Microphone	High-Fidelity gooseneck microphone
Simultaneous calls	32 (2 handsets, 30 on monitoring applet)
Contact	10,000, (140 visible simultaneously by default), unlimited pages and shared pages
Supported Line types	SIP, Public network, Command Lines (automatic/manual ringdown)
Call control via Touch screen	On Hold, Mute, Transfer, Dispatch, Conference, Call Back, Priority Lines, ...
Customisation	Variable background/button colors, private contacts, personalized ringdowns, languages (English, French, Dutch, German, Russian)
USB Ports	8 ports (for headsets and wireless headsets, foot pedals, keyboard, mouse, webcam etc)
Webcam	External (USB)
Telepresence	Integration with Cisco-Tandberg
Applications	Replay on dispatch console, dial from outlook, chrome or firefox, Corporate Directory (LDAP), ...



Voice and Video application management

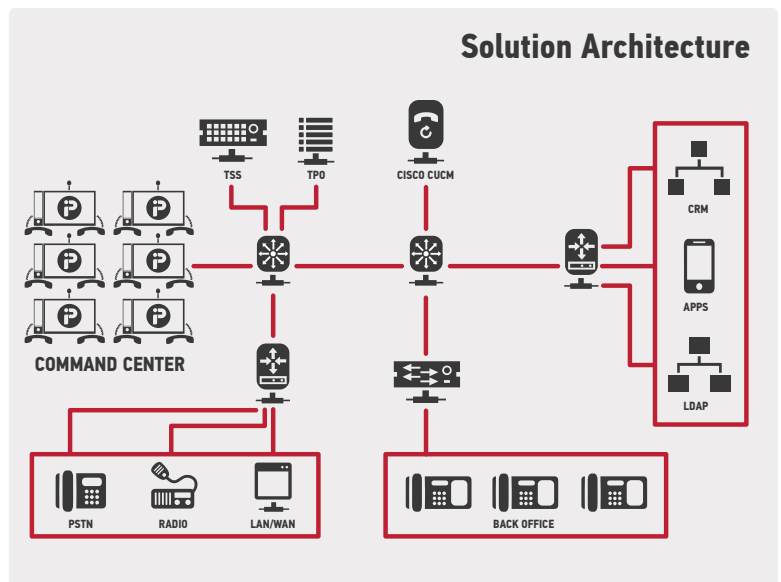
Each T4M dispatch console is connected to the IP Trade software-defined media processing application called the Turret Proxy Openline (TPO) and to the PBX. The TPO can be installed on a virtual server with redundancy configurations that guarantees high availability & connectivity. The TPO acts as a standard unified communication network extension by using SIP (Session Initialization Protocol) for connection and provides advanced command functions.

Management

The Turret Support Server (TSS) is a web-based management and database application that enables system configuration and management while acting as a central source for user profiles, enabling secure user authentication and system data storing. The TSS is also a gateway to other enterprise information systems and applications that may be integrated into the command floor environment.

The powerful administration services include:

- T4M Dispatch console configuration
- Monitoring, Management and Reports
- Authenticator and multi level security
- System database
- Application Integration
- System software update/upgrade tools





About IP Command

IP Command is a division of IP Trade SA, a pioneer in the design of advanced SIP (Session Initiation Protocol) communications and has established itself as a leading provider of ultra-reliable, high-capacity unified communications and collaboration (UC&C) solutions designed for environments where "always-on" instant communications capabilities are required.

IP Trade SA solutions are marketed under the IP Trade, IP Command brands and are used in a variety of industry sectors including: capital markets, commodities, government, healthcare, investment management, military, transportation and utilities. Applications include: air traffic control, dispatch services, emergency services, financial trading, logistics, mission control, network operations, power transmission and public safety.

The company has its headquarters established in Belgium (Liege) and has offices in Asia, Europe and the USA and representation through partners in about 40 countries.

To learn more about IP Command Solutions
Contact: info@iptrade-networks.com
or for more information
Visit: www.ipcommand-networks.com



Belgium (Headquarters)

Liège Logistics,
Rue de l'Aéropostale, 8
4460 Grâce-Hollogne

Phone: + 32 4 364 04 69
info@iptrade-networks.com

IP Trade Offices

IP Command is a division of IP Trade SA

London

6th Floor, Becket House,
36 Old Jewry,
London, EC2R 8DD

Phone: + 44 203 178 4448
info-uk@iptrade-networks.com

Paris

19 Boulevard Malesherbes,
75008 Paris

Phone: +33 1 55 27 37 57
info@iptrade-networks.com

New York

1500 Broadway
Fifth Floor, Suite 505
New York, NY 10036

Phone: 888 844 8440
Fax: 212 361 0059
info-us@iptrade-networks.com

Frankfurt

Herriotstrasse 1,
60528 Frankfurt

Phone: +49 69 661 629 70
info@iptrade-networks.com

Hong Kong

Room 1102
Lee Garden One, 33 Hysan
Avenue, Causeway Bay,
Hong Kong

Phone: + 852 3959 8645
info@iptrade-networks.com

WWW.IPCOMMAND-NETWORKS.COM